

PANERAI
LABORATORIO DI IDEE.

2 0 1 2

INTRODUCTION

P. 3

A HISTORY OF VALUES

P. 8

HISTORIC COLLECTION

P. 12

Luminor

P. 14

Luminor Base Logo – 44mm

Luminor Marina Logo – 44mm

Luminor Base – 44mm

Luminor Base Titanio – 44mm

Luminor Marina

P. 22

Luminor Marina – 44mm

Luminor Marina Titanio – 44mm

Luminor Base Left-Handed

P. 28

Luminor Base Left-Handed – 44mm

Radiomir

P. 32

Radiomir Black Seal Logo – 45mm

Radiomir Black Seal – 45mm

Radiomir Black Seal Ceramica – 45mm

P.999 Movement

P. 38

Radiomir – 42mm

Radiomir Titanio – 42mm

Radiomir Oro Rosa – 42mm

Radiomir Oro Rosso – 42mm

P.3000 – P.3001 – P.3002 Movements

P. 46

Radiomir California 3 Days – 47mm

Radiomir S.L.C. 3 Days – 47mm

Radiomir 3 Days GMT Oro Rosso – 47mm

Luminor 1950 3 Days – 47mm

Luminor Marina 1950 3 Days – 47mm

Luminor 1950 3 Days Power Reserve – 47mm

P.2002 Movement

P. 58

Radiomir 8 Days Titanio – 45mm

Radiomir 8 Days Ceramica – 45mm

Luminor 1950 8 Days GMT – 44mm

Luminor 1950 8 Days GMT Oro Rosa – 44mm

CONTEMPORARY COLLECTION

P. 66

Luminor Marina Automatic

P. 68

Luminor Marina Automatic – 44mm

Luminor Marina Automatic – 40mm

Luminor Submersible

P. 78

Luminor Submersible – 44mm

Luminor Submersible Titanio – 44mm

Luminor GMT

P. 82

Luminor GMT – 44mm

Luminor GMT – 40mm

Luminor Power Reserve

P. 88

Luminor Power Reserve – 44mm

Luminor Power Reserve – 40mm

Luminor Chrono

P. 92

Luminor Chrono Daylight – 44mm

P.9000-P.9001-P.9002 Movements

P. 96

Radiomir Black Seal 3 Days Automatic – 45mm

Luminor Marina 1950 3 Days Automatic – 44mm

Luminor Marina 1950 3 Days Automatic Titano – 44mm

Luminor Composite® Marina 1950 3 Days Automatic – 44mm

Luminor Marina 1950 3 Days Automatic – 42mm

Luminor Marina 1950 3 Days Automatic Oro Rosso – 42mm

Luminor Submersible 1950 3 Days Automatic Titano – 47mm

Luminor 1950 3 Days GMT Automatic – 44mm

Luminor 1950 3 Days GMT Automatic Ceramica – 44mm

TUTTONERO – Luminor 1950 3 Days GMT Automatic Ceramica – 44mm

Luminor 1950 3 Days GMT Power Reserve Automatic – 44mm

P.2003 Movement

P. 120

Radiomir 10 Days GMT – 47mm

Luminor 1950 10 Days GMT – 44mm

Luminor 1950 10 Days GMT Ceramica – 44mm

SPECIALITIES

P. 128

P.2004 Movement

P. 130

Luminor 1950 Chrono Monopulsante 8 Days GMT – 44mm

Luminor 1950 Chrono Monopulsante 8 Days GMT Titanio – 44mm

Luminor 1950 Chrono Monopulsante 8 Days GMT Ceramica – 44mm

P.2005 Movement

P. 138

Radiomir Tourbillon GMT Titanio – 48mm

Luminor 1950 Tourbillon GMT Titanio – 47mm

Luminor 1950 Tourbillon GMT Ceramica – 48mm

Panerai tests for watches with in-house movements

P. 146

Millesimation, COSC and packaging

P. 151

Technical specifications

P. 154

A HISTORY
OF VALUES



1860

Giovanni Panerai opens a watchmaker's shop in Florence: a store which is also a workshop, not to mention the city's first watch-making school. Initially located on Ponte alle Grazie, the Orologeria Svizzera, as it was called, later moves to its current premises, inside the Palazzo Arcivescovile in Piazza San Giovanni.

1916

Guido Panerai registers the first of many patents to mark Panerai's long history in innovation. To meet the military requirement of the Royal Italian Navy, for which it has already been a supplier for a few years, Panerai creates Radiomir, a radium-based powder for making sighting instruments and dials luminous.

1936

On the eve of the Second World War, the instruments developed by Panerai for the Royal Italian Navy take on an even more strategic role. The prototype of the Radiomir watch is created for the underwater exploits of the Command of the First Submarine Corp, with many of the features which still distinguish it today: a large steel cushion-shaped case (47 mm), luminous numerals and markers, wire loop strap attachments welded to the case, a hand-wound mechanical movement, a wide water-resistant strap, long enough to be fastened over the diving suit.

1938 - 1949

The Radiomir watch is subjected to a series of innovations aimed at improving its performance: the new sandwich dial is made more luminous and easier to read; the strap attachments become more resistant and are made from the case itself; and the distinctive lever bridge device is invented, secured with screws to protect the crown. Thanks to these innovations which make it more resistant and watertight, the new Panerai watch becomes the first underwater model (to depths of 200m) in the history of horology. At the same time, radioactive Radiomir is replaced by Luminor, isotope of tritium-based hydrogen, patented by Panerai for the first time in Italy in 1949.

1943

Officine Panerai presents the prototype of the first Panerai chronograph, the Mare Nostrum, designed for deck officers.

1956

Panerai develops an underwater Radiomir watch of exceptional size and solidity for the Egyptian Navy, known as the "Egyptian", fitted with a marked bezel for calculating immersion times. In the same year, the patent is registered for the bridge protecting the crown which becomes the trademark of the Luminor models.

1972

Giuseppe Panerai, son of Guido, dies, and the management of the family business, along with its position as supplier to the Italian Navy still covered by military secret, is handed over to engineer Dino Zei, who creates the “Officine Panerai” trademark.

1993

The first commercial collection by Officine Panerai: three limited edition models inspired by those created for Second World War navy commandos.

1997

Officine Panerai is acquired by the Richemont Group (then Vendôme), which establishes a network of qualified distributors in Italy.

1998

Officine Panerai is launched on the international market.

2001

The Panerai Boutique is inaugurated, following restyling, at the historical site in Piazza San Giovanni in Florence, following the purchase of the family boutique by Officine Panerai. This Bottega d’Arte represents a meeting point for enthusiasts and collectors of the brand who can find here, in addition to the current collection, special editions and production runs which Panerai reserves exclusively for its boutiques. The shop also plays host to the Panerai Historical Archive, a selection of historical items created by the Florentine company: watches, compasses, depth gauges, torches and horology instruments.

2002

Opening of the Officine Panerai Manufacture in Neuchâtel, Switzerland. The first Panerai boutique in Asia opens in the Prince’s Building in Hong Kong.

2005

International launch of the first Panerai movement, P.2002: a hand-wound calibre with GMT function and 8-day power reserve, inspired by the Angelus movement of the 1940s.

2007

Officine Panerai presents three new calibres entirely conceived and developed in-house: P.2003, P.2004 and P.2005, with an innovative tourbillon escapement.

2008 - 2009

Launch of the P.9000 and P.2006 movements. Presentation of Eilean, the Bermudian ketch built in 1936 in the legendary Fife boatyard, purchased and restored by Officine Panerai.

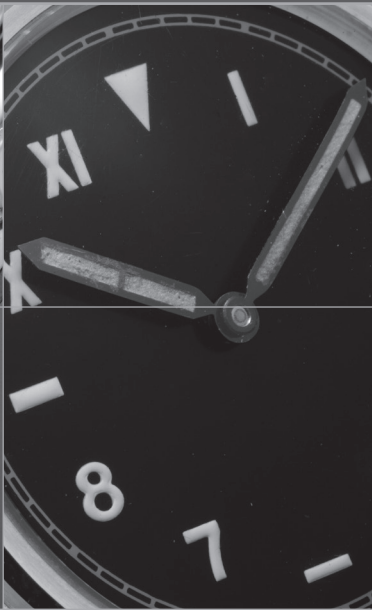
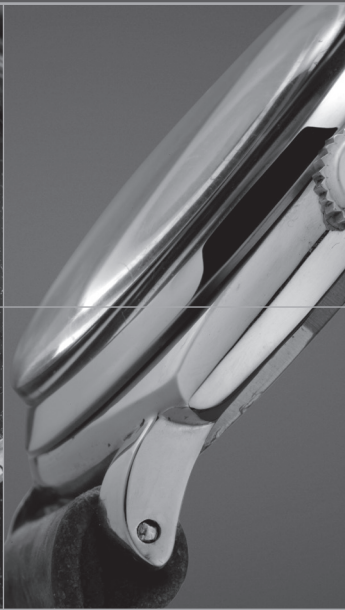
2010

Launch of the P.999 calibre and Panerai Jupiterium, a tribute to the 400th anniversary of the first celestial observations made by Tuscan genius Galileo Galilei with his telescope. Launch of the first watch in Panerai Composite.

2011 - 2012

Launch of the P.3000 calibre and of the first watch in bronze. Presentation of the vintage case inspired by the Radiomir of the 1940s.





LUMINOR



Luminor Panerai late 1940s – early 1950s

16

Luminor Base
Logo - 44mm



PAM00000



Luminor Marina
Logo - 44mm

PAM00005

Luminor Base - 44mm



PAM00114



Luminor Base - 44mm

PAM00112

20

Luminor Base
Titanio - 44mm



PAM00176



LUMINOR

PANERAI

SWISS L

LUMINOR MARINA

In order to reduce the frequency of the winding operation, in about 1950 Panerai adopted an 8-day Angelus movement for the Luminor, with the small seconds dial at the 9 o'clock position, which still today is the distinctive feature of Panerai watches.

Like the other watches in the Historic range, the Luminor Marina is fitted with a movement transformed by Panerai according to the standards of traditional Swiss watchmaking and the quality criteria of the brand.

TECHNICAL SPECIFICATIONS:

Hand-wound mechanical movement, exclusive Panerai OP XI calibre, 16½ lignes, 17 jewels, Glucydur® balance, 21,600 alternations/hour. Incabloc® anti-shock device. Swan's neck regulator. Power reserve 56 hours. Côtes de Genève decoration on the bridges. It is tested and certified by C.O.S.C.



LUMINOR
MARINA

PANERAI

3

Luminor Marina - 44mm



PAM00113



Luminor Marina - 44mm

PAM00111

Luminor Marina
Titanio - 44mm



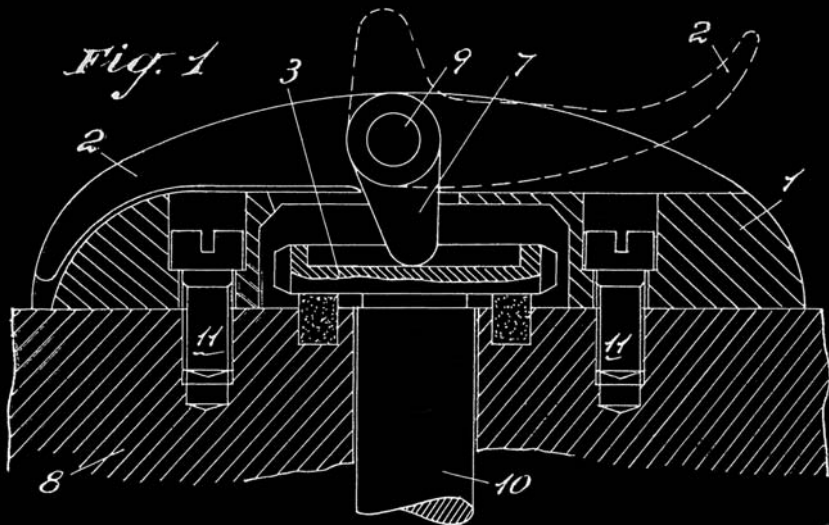
PAM00177

LUMINOR
MARINA

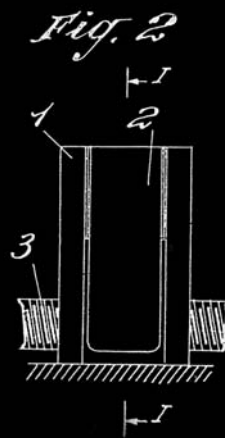
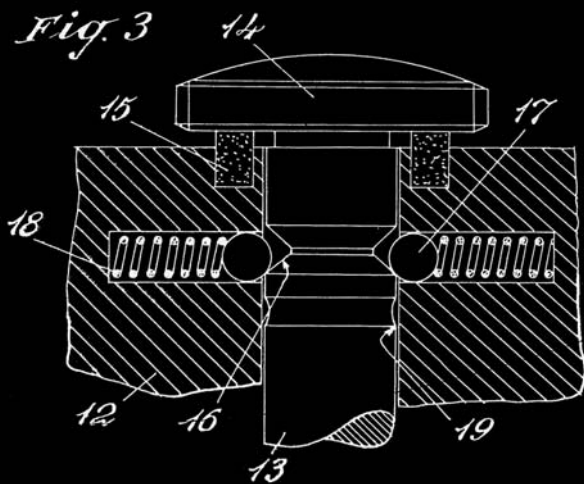
PANERAI







545058





Luminor Base
Left-Handed - 44mm

PAM00219

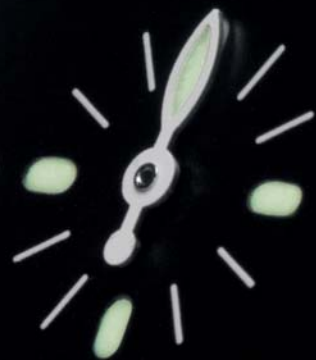
RADIOMIR



Radiomir Panerai late 1930s

RADIOMIR
BLACK SEAL

PANERAI





Radiormi Black Seal
Logo - 45mm

PAM00380

Radiomir
Black Seal - 45mm



PAM00183



Radiomir Black Seal
Ceramica - 45mm

37

PAM00292





42

Radiomir - 42mm



PAM00337



Radiomir Titanio - 42mm

PAM00338

Radiomir
Oro Rosa - 42mm



PAM00378



Radiomir
Oro Rosso - 42mm

45

PAM00439





50

Radiomir California
3 Days - 47mm



PAM00424



Radiomir S.L.C.
3 Days - 47mm

PAM00425

Radiomir 3 Days GMT
Oro Rosso - 47mm



PAM00421

ANERAI

CAL. P.3001
SWISS MADE

3
2
1
0
DAYS

TWENTY-ONE
(21) JEWELS

010000

50m

1860





OP



Luminor 1950
3 Days - 47mm

PAM00372

Luminor Marina 1950
3 Days - 47mm



PAM00422



Luminor 1950 3 Days
Power Reserve - 47mm

PAM00423





Radiomir 8 Days
Titanio - 45mm



PAM00346



Radiomir 8 Days
Ceramica - 45mm

63

PAM00384

64

Luminor 1950 8 Days
GMT - 44mm



PAM00233



Luminor 1950 8 Days
GMT Oro Rosa - 44mm

PAM00289



LUMINOR MARINA
AUTOMATIC



70

Luminor Marina
Automatic - 44mm



PAM00104



Luminor Marina
Automatic - 44mm

PAM00164





Luminor Marina
Automatic - 44mm

PAM00299

Luminor Marina
Automatic - 40mm



PAM00048



Luminor Marina
Automatic - 40mm

75

PAM00049

76

Luminor Marina
Automatic - 40mm



PAM00298





Luminor
Submersible - 44mm



PAM00024
Divers professional



Luminor
Submersible Titanio - 44mm

PAM00025
Divers professional



Luminor GMT - 44mm



PAM00088



Luminor GMT - 44mm

PAM00297



LUMINOR
GMT

28

PANERAI
Automatic

L SWISS MADE L



Luminor GMT - 40mm | 87

PAM00244

LUMINOR
POWER RESERVE



The power reserve is a complication much appreciated by connoisseurs and enthusiasts of haute horlogerie.

It enables the amount of time remaining before it is necessary to wind the movement again to be checked at any moment, by reading the appropriate indicator on the dial.

This function has been perfected by the skill of Swiss master watchmakers who have created a transmission device in which the winding of the spring barrel and the rotation of the movement are linked by an indicator showing the power reserve.

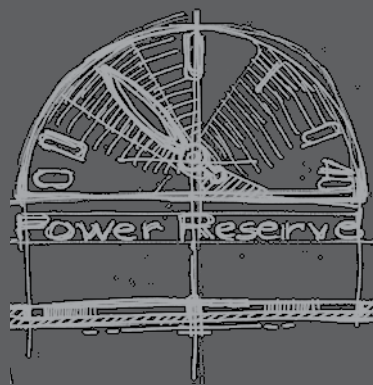
The display changes little by little as the spring transmits the stored energy to the train of the movement.

In the Panerai Luminor Power Reserve, this complex horological function is controlled by an exclusive automatic mechanical movement: the Panerai calibre OP IX.

All Panerai Luminor Power Reserve watches use a special device for changing the strap. A tool, supplied in the box, enables this operation to be carried out with simplicity and precision.

TECHNICAL SPECIFICATIONS:

Automatic mechanical movement, exclusive Panerai OP IX calibre, 13¼ lignes, 21 jewels, PANERAI personalized oscillating weight. Glucydur® balance, 28,800 alternations/hour. Incabloc® anti-shock device. Power reserve 42 hours. Côtes de Genève decoration on the bridges. It is tested and certified by C.O.S.C.



90

Luminor
Power Reserve - 44mm



PAM00090



Luminor
Power Reserve - 40mm

PAM00241

LUMINOR
CHRONO



The Panerai Luminor Chrono, entirely made in AISI 316L stainless steel, is a high precision sports chronograph fitted with a movement with chronograph functions on three counters, the Panerai OP XII calibre.

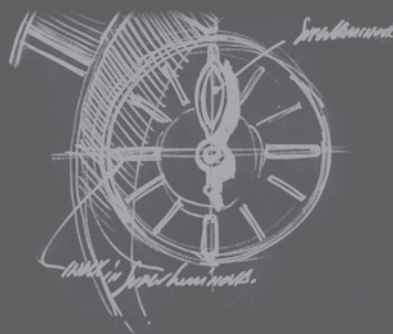
The inscription “Daylight”, displayed on the dial at 12 o’clock brings back into the limelight a name reserved by Officine Panerai for a “very special” client.

Daylight is the title of a successful film starring Sylvester Stallone made a few years ago. Several series of Panerai watches bearing this name have been produced at the special request of the American actor.

All Panerai Luminor Chrono watches use a special device for changing the strap. A tool, supplied in the box, enables this operation to be carried out with simplicity and precision.

TECHNICAL SPECIFICATIONS:

Automatic mechanical movement, exclusive Panerai OP XII calibre, 13¼ lignes, 27 jewels, PANERAI personalized oscillating weight. Glucydur® balance, 28,800 alternations/hour. Incabloc® anti-shock device. Power reserve 46 hours. Côtes de Genève decoration on the bridges. It is tested and certified by C.O.S.C.



Study for the Luminor Chrono Daylight 44 mm.



12

LUMINOR
PANERAI
Daylight



Luminor Chrono
Daylight - 44mm

PAM00356



P.9000 - P.9001 - P.9002 MOVEMENTS

The P.9000 calibre created entirely by Officine Panerai and used in a series of Luminor 1950 and Radiomir models, is available in three versions - P.9000 (197 components), P.9001 (229 components) and P.9002 (237 components) - fitted with different functions, but they have in common an automatic winding with a 3-day power reserve and a special technical design which makes these movements immediately recognizable.

The calibres all have a diameter of 13¾ lignes and numerous features in common: two barrels which guarantee 72 hours of power reserve; a single piece rotor which winds by moving in both directions thanks to an automatic ratchet device; a balance wheel with adjustment screws, oscillating at a frequency of 4 Hz; a date display and stop balance wheel device which enables the time to be synchronized with a reference time signal.

To house these movements, a specially- made version of the Luminor 1950 case has been designed, keeping the proportions of the original but holding a slightly less convex sapphire crystal which only barely protrudes from the bezel.



100

Radiomir Black Seal
3 Days Automatic - 45mm



PAM00388



HT (28) JEWELS

CAL. P. 9000

8011708

AUTOMATIC

88 0000000

REG. PAT. MAR. CH. PANERAI

REG. PAT. MAR. CH. PANERAI



102

Luminor Marina 1950
3 Days Automatic - 44mm



PAM00312



Luminor Marina 1950
3 Days Automatic - 44mm

103

PAM00328



REG.

T.M.

LUMINOR
MARINA

PANERAI

MADE IN
SWITZERLAND

28

12

2

4

5

6

8

7



Luminor Marina 1950
3 Days Automatic - 44mm

105

PAM00359

106

Luminor Marina 1950
3 Days Automatic
Titanio - 44mm



PAM00351



Luminor Marina 1950
3 Days Automatic
Titanio - 44mm

107

PAM00352

108

Luminor Composite®
Marina 1950 3 Days
Automatic - 44mm



PAM00386



PANERAI

110

Luminor Marina 1950
3 Days Automatic - 42mm



PAM00392



Luminor Marina 1950
3 Days Automatic
Oro Rosso - 42mm

111

PAM00393





Luminor Submersible
1950 3 Days Automatic
Titanio - 47mm

113

PAM00305
Divers professional

114

Luminor 1950
3 Days GMT
Automatic - 44mm



PAM00320



Luminor 1950
3 Days GMT
Automatic - 44mm

115

PAM00329

116

Luminor 1950
3 Days GMT Automatic
Ceramica - 44mm



PAM00441



TUTTONERO - Luminor 1950
3 Days GMT Automatic
Ceramica - 44mm

117

PAM00438

118

Luminor 1950 3 Days
GMT Power Reserve
Automatic - 44mm



PAM00321



Luminor 1950 3 Days
GMT Power Reserve
Automatic - 44mm

119

PAM00347





00005

TWENTY-FIVE (25) JEWELS

CAL. P. 2003/6

OFFICINE PANERAI





Radiomir 10 Days
GMT - 47mm

125

PAM00323

126

Luminor 1950
10 Days GMT - 44mm



PAM00270



Luminor 1950
10 Days GMT
Ceramica - 44mm

PAM00335







134

Luminor 1950
Chrono Monopulsante
8 Days GMT - 44mm



PAM00275



Luminor 1950
Chrono Monopulsante
8 Days GMT Titanio - 44mm

135

PAM00311

136

Luminor 1950
Chrono Monopulsante
8 Days GMT Ceramica - 44mm



PAM00317



LUMINOR
PANERAI
GMT

DAYS

REG.
O

REG.
O





142

Radiomir Tourbillon
GMT Titanio - 48mm



PAM00315



Luminor 1950 Tourbillon
GMT Titanio - 47mm

PAM00306



TURBILLON

DAYS

6 4 2 0

3 BARRELS



Luminor 1950 Tourbillon
GMT Ceramica - 48mm

145

PAM00396





OFFICINE PANERAI



OFFICINE PANERAI

MILLESIMATION

To meet the requirement for high quality, reliability, and long-term durability, Panerai has strict production criteria which do not allow the watches to be produced in large numbers.

For this reason Officine Panerai declares the number of watches manufactured in each year, and each piece is numbered.

C.O.S.C.

The C.O.S.C. Certificate is a certificate of accuracy issued by the Contrôle Officiel Suisse des Chronomètres (C.O.S.C.) to a movement which is certified as a chronometer (that is, a particularly accurate watch) by exceeding the standards set by the NIHS (Normes de l'Industrie Horlogère Suisse - Standards of the Swiss Watch Industry).

To receive a chronometer certificate the movement undergoes 15 days of tests to measure the accuracy and consistency of its timekeeping in various positions and conditions of use and at different temperatures. Only movements recording an average daily rate variation between -4 and +6 seconds receive official certification from C.O.S.C.

THE PANERAI PRESENTATION CASE

Panerai watches are supplied with an exclusive craftsman-made presentation case executed in pear wood.

Page	Reference	Name	Material	Movement
16	PAM00000	Luminor Base Logo - 44mm	STEEL	OP I
17	PAM00005	Luminor Marina Logo - 44mm	STEEL	OP II
18	PAM00114	Luminor Base - 44mm	STEEL	OP X
19	PAM00112	Luminor Base - 44mm	STEEL	OP X
20	PAM00176	Luminor Base Titanio - 44mm	TITANIUM	OP X
24	PAM00113	Luminor Marina - 44mm	STEEL	OP XI
25	PAM00111	Luminor Marina - 44mm	STEEL	OP XI
26	PAM00177	Luminor Marina Titanio - 44mm	TITANIUM	OP XI
31	PAM00219	Luminor Base Left-Handed - 44mm	STEEL	OP X
35	PAM00380	Radiomir Black Seal Logo - 45mm	STEEL	OP II
36	PAM00183	Radiomir Black Seal - 45mm	STEEL	OP XI
37	PAM00292	Radiomir Black Seal Ceramica - 45mm	CERAMIC	OP XI
42	PAM00337	Radiomir - 42mm	STEEL	P.999/1
43	PAM00338	Radiomir Titanio - 42mm	TITANIUM	P.999/1
44	PAM00378	Radiomir Oro Rosa - 42mm	PINK GOLD	P.999
45	PAM00439	Radiomir Oro Rosso - 42mm	RED GOLD	P.999
50	PAM00424	Radiomir California 3 Days - 47mm	STEEL	P.3000
51	PAM00425	Radiomir S.L.C. 3 Days - 47mm	STEEL	P.3000
52	PAM00421	Radiomir 3 Days GMT Oro Rosso - 47mm	RED GOLD	P.3001
55	PAM00372	Luminor 1950 3 Days - 47mm	STEEL	P.3000
56	PAM00422	Luminor Marina 1950 3 Days - 47mm	STEEL	P.3001
57	PAM00423	Luminor 1950 3 Days Power Reserve - 47mm	STEEL	P.3002
62	PAM00346	Radiomir 8 Days Titanio - 45mm	TITANIUM	P.2002/9
63	PAM00384	Radiomir 8 Days Ceramica - 45mm	CERAMIC	P.2002/3
64	PAM00233	Luminor 1950 8 Days GMT - 44mm	STEEL	P.2002
65	PAM00289	Luminor 1950 8 Days GMT Oro Rosa - 44mm	PINK GOLD	P.2002

Functions	Power Reserve	Back	Water-resistance
H, M	56H	SCREW	30 BAR
H, M, S	56H	SCREW	30 BAR
H, M	56H	SAPPHIRE	30 BAR
H, M	56H	SAPPHIRE	30 BAR
H, M	56H	SAPPHIRE	30 BAR
H, M, S	56H	SAPPHIRE	30 BAR
H, M, S	56H	SAPPHIRE	30 BAR
H, M, S	56H	SAPPHIRE	30 BAR
H, M	56H	SAPPHIRE	30 BAR
H, M, S	56H	SCREW	10 BAR
H, M, S	56H	SAPPHIRE	10 BAR
H, M, S	56H	SCREW	10 BAR
H, M, S	60H	SAPPHIRE	10 BAR
H, M, S	60H	SAPPHIRE	10 BAR
H, M, S	60H	SAPPHIRE	10 BAR
H, M, S	60H	SAPPHIRE	10 BAR
H, M, D	72H	SAPPHIRE	10 BAR
H, M	72H	SAPPHIRE	10 BAR
H, M, S, D, GMT, PR BACK, SR	72H	SAPPHIRE	5 BAR
H, M	72H	SAPPHIRE	10 BAR
H, M, S, PR BACK, SR	72H	SAPPHIRE	10 BAR
H, M, S, PR, SR	72H	SAPPHIRE	10 BAR
H, M, S, D, PR BACK, SR	192H	SAPPHIRE	10 BAR
H, M, S, D, PR	192H	SAPPHIRE	10 BAR
H, M, S, D, GMT, 24H INDICATOR, PR, SR	192H	SAPPHIRE	10 BAR
H, M, S, D, GMT, 24H INDICATOR, PR, SR	192H	SAPPHIRE	10 BAR

Page	Reference	Name	Material	Movement
70	PAM00104	Luminor Marina Automatic - 44mm	STEEL	OP III
71	PAM00164	Luminor Marina Automatic - 44mm	STEEL	OP III
73	PAM00299	Luminor Marina Automatic - 44mm	STEEL	OP III
74	PAM00048	Luminor Marina Automatic - 40mm	STEEL	OP III
75	PAM00049	Luminor Marina Automatic - 40mm	STEEL	OP III
76	PAM00298	Luminor Marina Automatic - 40mm	STEEL	OP III
80	PAM00024	Luminor Submersible - 44mm	STEEL	OP III
81	PAM00025	Luminor Submersible Titanio - 44mm	TITANIUM	OP III
84	PAM00088	Luminor GMT - 44mm	STEEL	OP VIII
85	PAM00297	Luminor GMT - 44mm	STEEL	OP VIII
87	PAM00244	Luminor GMT - 40mm	STEEL	OP VIII
90	PAM00090	Luminor Power Reserve - 44mm	STEEL	OP IX
91	PAM00241	Luminor Power Reserve - 40mm	STEEL	OP IX
95	PAM00356	Luminor Chrono Daylight - 44mm	STEEL	OP XII
100	PAM00388	Radiomir Black Seal 3 Days Automatic - 45mm	STEEL	P.9000
102	PAM00312	Luminor Marina 1950 3 Days Automatic - 44mm	STEEL	P.9000
103	PAM00328	Luminor Marina 1950 3 Days Automatic - 44mm	STEEL	P.9000
105	PAM00359	Luminor Marina 1950 3 Days Automatic - 44mm	STEEL	P.9000
106	PAM00351	Luminor Marina 1950 3 Days Automatic Titanio - 44mm	TITANIUM	P.9000
107	PAM00352	Luminor Marina 1950 3 Days Automatic Titanio - 44mm	TITANIUM	P.9000
108	PAM00386	Luminor Composite® Marina 1950 3 Days Automatic - 44mm	COMPOSITE	P.9000
110	PAM00392	Luminor Marina 1950 3 Days Automatic - 42mm	STEEL	P.9000
111	PAM00393	Luminor Marina 1950 3 Days Automatic Oro Rosso - 42mm	RED GOLD	P.9000
113	PAM00305	Luminor Submersible 1950 3 Days Automatic Titanio - 47mm	TITANIUM	P.9000
114	PAM00320	Luminor 1950 3 Days GMT Automatic - 44mm	STEEL	P.9001
115	PAM00329	Luminor 1950 3 Days GMT Automatic - 44mm	STEEL	P.9001

Functions	Power Reserve	Back	Water-resistance
H, M, S, D	42H	SCREW	30 BAR
H, M, S, D	42H	SCREW	30 BAR
H, M, S, D	42H	SCREW	30 BAR
H, M, S, D	42H	SCREW	30 BAR
H, M, S, D	42H	SCREW	30 BAR
H, M, S, D	42H	SCREW	30 BAR
H, M, S, D, SUB	42H	SCREW	30 BAR
H, M, S, D, SUB	42H	SCREW	30 BAR
H, M, S, D, GMT	42H	SCREW	30 BAR
H, M, S, D, GMT	42H	SCREW	30 BAR
H, M, S, D, GMT	42H	SCREW	30 BAR
H, M, S, D, PR	42H	SCREW	30 BAR
H, M, S, D, PR	42H	SCREW	30 BAR
H, M, S, D, CH	46H	SCREW	10 BAR
H, M, S, D	72H	SAPPHIRE	10 BAR
H, M, S, D	72H	SAPPHIRE	30 BAR
H, M, S, D	72H	SAPPHIRE	30 BAR
H, M, S, D	72H	SAPPHIRE	30 BAR
H, M, S, D	72H	SAPPHIRE	30 BAR
H, M, S, D	72H	SAPPHIRE	30 BAR
H, M, S, D	72H	SAPPHIRE	30 BAR
H, M, S, D	72H	SAPPHIRE	30 BAR
H, M, S, D	72H	SAPPHIRE	10 BAR
H, M, S, D	72H	SAPPHIRE	5 BAR
H, M, S, D, SUB	72H	SAPPHIRE	30 BAR
H, M, S, D, GMT, PR BACK, SR	72H	SAPPHIRE	30 BAR
H, M, S, D, GMT, PR BACK, SR	72H	SAPPHIRE	30 BAR

Page	Reference	Name	Material	Movement
116	PAM00441	Luminor 1950 3 Days GMT Automatic Ceramica - 44mm	CERAMIC	P.9001
117	PAM00438	TUTTONERO - Luminor 1950 3 Days GMT Automatic Ceramica - 44mm	CERAMIC	P.9001/B
118	PAM00321	Luminor 1950 3 Days GMT Power Reserve Automatic - 44mm	STEEL	P.9002
119	PAM00347	Luminor 1950 3 Days GMT Power Reserve Automatic - 44mm	STEEL	P.9002
125	PAM00323	Radiomir 10 Days GMT - 47mm	STEEL	P.2003/6
126	PAM00270	Luminor 1950 10 Days GMT - 44mm	STEEL	P.2003
127	PAM00335	Luminor 1950 10 Days GMT Ceramica- 44mm	CERAMIC	P.2003
134	PAM00275	Luminor 1950 Chrono Monopulsante 8 Days GMT - 44mm	STEEL	P.2004
135	PAM00311	Luminor 1950 Chrono Monopulsante 8 Days GMT Titanio - 44mm	TITANIUM	P.2004
136	PAM00317	Luminor 1950 Chrono Monopulsante 8 Days GMT Ceramica - 44mm	CERAMIC	P.2004
142	PAM00315	Radiomir Tourbillon GMT Titanio - 48mm	TITANIUM	P.2005
143	PAM00306	Luminor 1950 Tourbillon GMT Titanio - 47mm	TITANIUM	P.2005
145	PAM00396	Luminor 1950 Tourbillon GMT Ceramica - 48mm	CERAMIC	P.2005/B

Functions

H	HOURS
M	MINUTES
S	SMALL SECONDS
D	DATE
GMT	SECOND TIME ZONE
PR	POWER RESERVE INDICATOR
PR BACK	POWER RESERVE INDICATOR ON THE BACK
SR	SECONDS RESET
SUB	CALCULATION OF IMMERSION TIME
CH	CHRONOGRAPH
CH MONO	SINGLE-BUTTON CHRONOGRAPH

Functions	Power Reserve	Back	Water-resistance
H, M, S, D, GMT, PR BACK, SR	72H	SAPPHIRE	10 BAR
H, M, S, D, GMT, PR BACK, SR	72H	SAPPHIRE	10 BAR
H, M, S, D, GMT, PR, SR	72H	SAPPHIRE	30 BAR
H, M, S, D, GMT, PR, SR	72H	SAPPHIRE	30 BAR
H, M, S, D, GMT, 24H INDICATOR, PR, SR	240H	SAPPHIRE	10 BAR
H, M, S, D, GMT, 24H INDICATOR, PR, SR	240H	SAPPHIRE	10 BAR
H, M, S, D, GMT, 24H INDICATOR, PR, SR	240H	SAPPHIRE	10 BAR
H, M, S, GMT, 24H INDICATOR, PR, SR, CH MONO	192H	SAPPHIRE	10 BAR
H, M, S, GMT, 24H INDICATOR, PR, SR, CH MONO	192H	SAPPHIRE	10 BAR
H, M, S, GMT, 24H INDICATOR, PR, SR, CH MONO	192H	SAPPHIRE	10 BAR
H, M, S, GMT, 24H INDICATOR, PR BACK, TOURBILLON	144H	SAPPHIRE	10 BAR
H, M, S, GMT, 24H INDICATOR, PR BACK, TOURBILLON	144H	SAPPHIRE	10 BAR
H, M, S, GMT, 24H INDICATOR, PR BACK, TOURBILLON	144H	SAPPHIRE	10 BAR

© 2012 Officine Panerai

All rights reserved.

Photographers: Christopher Broadbent, Francesco Di Loreto, Aldo Martinelli, Marco Pirovano and Giuseppe Toja
Drawings: Creative Academy srl., Milan
Printed by: Nava, Milan - Italy

OFFICINE PANERAI
MARKETING & COMUNICAZIONE

www.panerai.com

For promotional purpose only. Not for sale.
Officine Panerai reserves the right at all times to modify the models featured in the present publication.