

Specification

<i>Model</i>	Manhora 40.
<i>Bed</i>	Round with flat.
<i>Mounting</i>	One foot with screws.
<i>Headstock</i>	Steel spindle with manganese vanadium treatment. Double cone bearings, adjustable.
<i>Drive</i>	Separate motor.
<i>Tailstock</i>	Solid runner.
<i>General Finish</i>	Crackle.
<i>Dimensions</i>	Spindle bore : 8 mm. Height of centres : 40 mm. Length of bed : 250 mm.

Equipment

As for model 50.

Specification

<i>Model</i>	Manhora 50.
<i>Bed</i>	Rectangular section, prismatic top.
<i>Mounting</i>	One foot, solid casting with bed. Two feet with the 380 mm. and 400 mm. beds
<i>Headstock</i>	Steel spindle with manganese vanadium treatment. Double cone bearings, adjustable.
<i>Drive</i>	By separate motor.
<i>Tailstock</i>	Screw tailstock.
<i>General Finish</i>	Crackle.
<i>Dimensions</i>	Spindle bore : 8 mm. Height of centres : 50 mm. Length of bed : 280 mm., 380 mm. and 400 mm.

Equipment

The equipment for this lathe includes, in addition to the standard set of accessories enumerated on page 98, the following :—

Milling attachment.	Saw table.
Slide rest, compound.	Face plate.
Self-centring drilling attachment.	

MARSHALL*

Made originally by C. & E. Marshall Co. of Chicago, Ill., U.S.A.

The specifications for the Marshall, Peerless and Moseley lathes is the same :—

- Height of centres : 2 in.
- Capacity of draw-in spindle : 0.1968 in. (6 mm.).
- Body diameter of chuck : 0.3145 in.

Marshall lathe is a pre-loaded ball bearing lathe and the makers say this lathe is made of "the same high quality materials as the

* No longer in production.

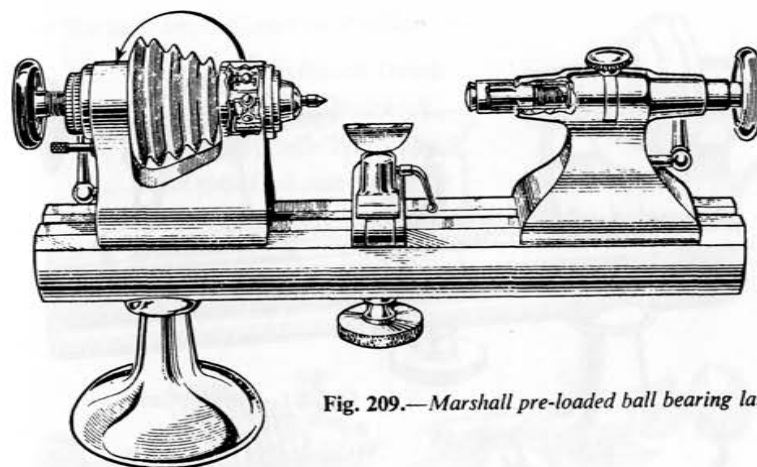


Fig. 209.—Marshall pre-loaded ball bearing lathe.

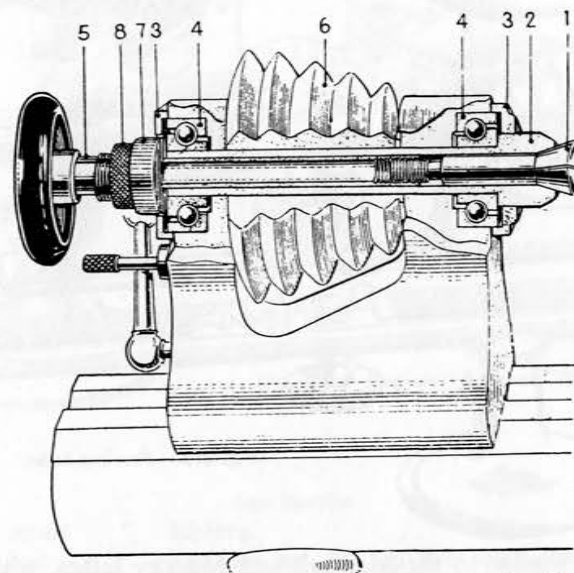


Fig. 210.—Marshall pre-loaded ball bearing headstock.

- | | |
|-------------------|---------------------|
| 1. Chuck. | 5. Draw-in spindle. |
| 2. Live spindle. | 6. Pulley. |
| 3. Dust shield. | 7. Check nut. |
| 4. Ball bearings. | 8. Lock nut. |

Moseley and Peerless lathes". Fig. 209 shows the Marshall lathe and Fig. 210 a cut-away section of the headstock.

Moseley. A similar lathe to the Marshall but with cone bearings (Fig. 211).