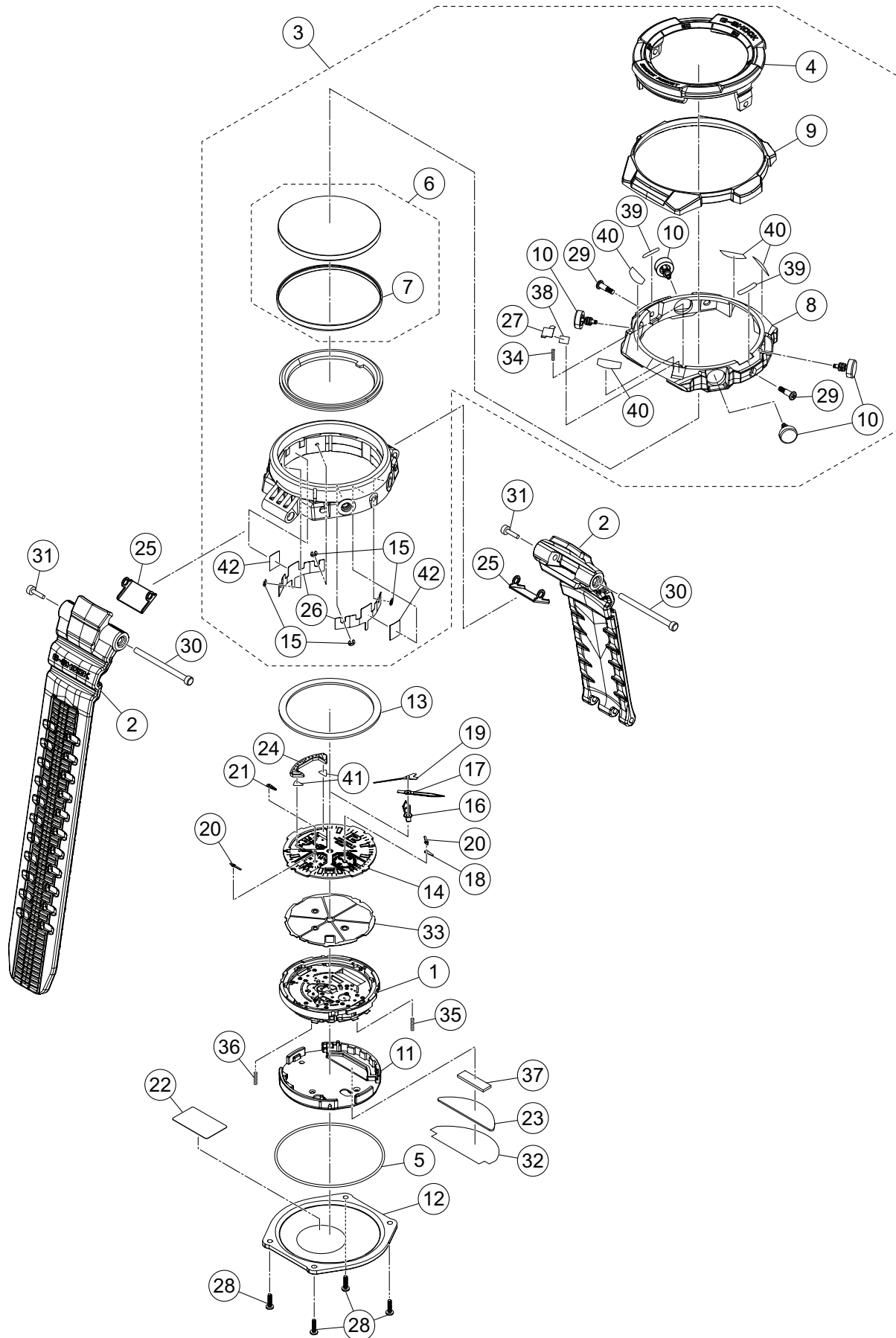


EXPLODED VIEW



Attention to order
 1. The most of normal repair or initial repair within 1year since released month can be done by main parts.
 2. Minor parts should be ordered carefully in consideration of the actual usage of your repair and your technical skills.
 3. Main parts should be ordered and stocked appropriately in consideration of your parts usage anre repair usage for similar models.
 4. Refer the latest "Parts Price Code" at "PARTS FINDER" on the Casio Service WEB site (<https://www.servicecasio.com>).

MAIN PARTS								
N	Item	Code No.	Parts Name	Specification	QTY	Note	R	
					1			
N	1	10374972	MODULE/WITH MOVEMENT	QW-5121AT-01TK	1		A	
		10322072	ANALOG BLOCK	QW-5031MV-83TK	1		A	
		10357041	PCB ASS'Y	RJQ551829*001TK	1		A	
N	2	10370809	BAND/RESIN	RSRZ749X-21	1		A	
N	3	10374918	CASE/CENTER ASS'Y	5121GW-3000B *2AVTK	1		A	
			< Consists of Case center (Resin), Glass (Mineral), Bezel, Glass packing, Screw, Dial cover, Button ass'y, E-ring, Terminal plate, Adhesive tape, and Coil spring. >					
	4	10353429	BEZEL/RESIN	RJQ550593-001V01	1	OUTER	A	
	5	74212971	PACKING/O-RING	Q357995-4V14	1	BACK	A	

MAINOR PARTS							
N	Item	Code No.	Parts Name	Specification	QTY	Note	R
					1		
	6	94801286	GLASS & PACKING	RJQ550597*001V01	1		C
	7	10353422	PACKING/GLASS	Q471301-7V06	1		C
N	8	10370704	BEZEL/RESIN	RJQ550594-003V01	1	INNER	C
	9	10355276	BEZEL/SS	RJQ550595-002V03	1		C

Notes: N - New parts
 R - Rank
 A: Important
 C: Not Important

GW-3000B

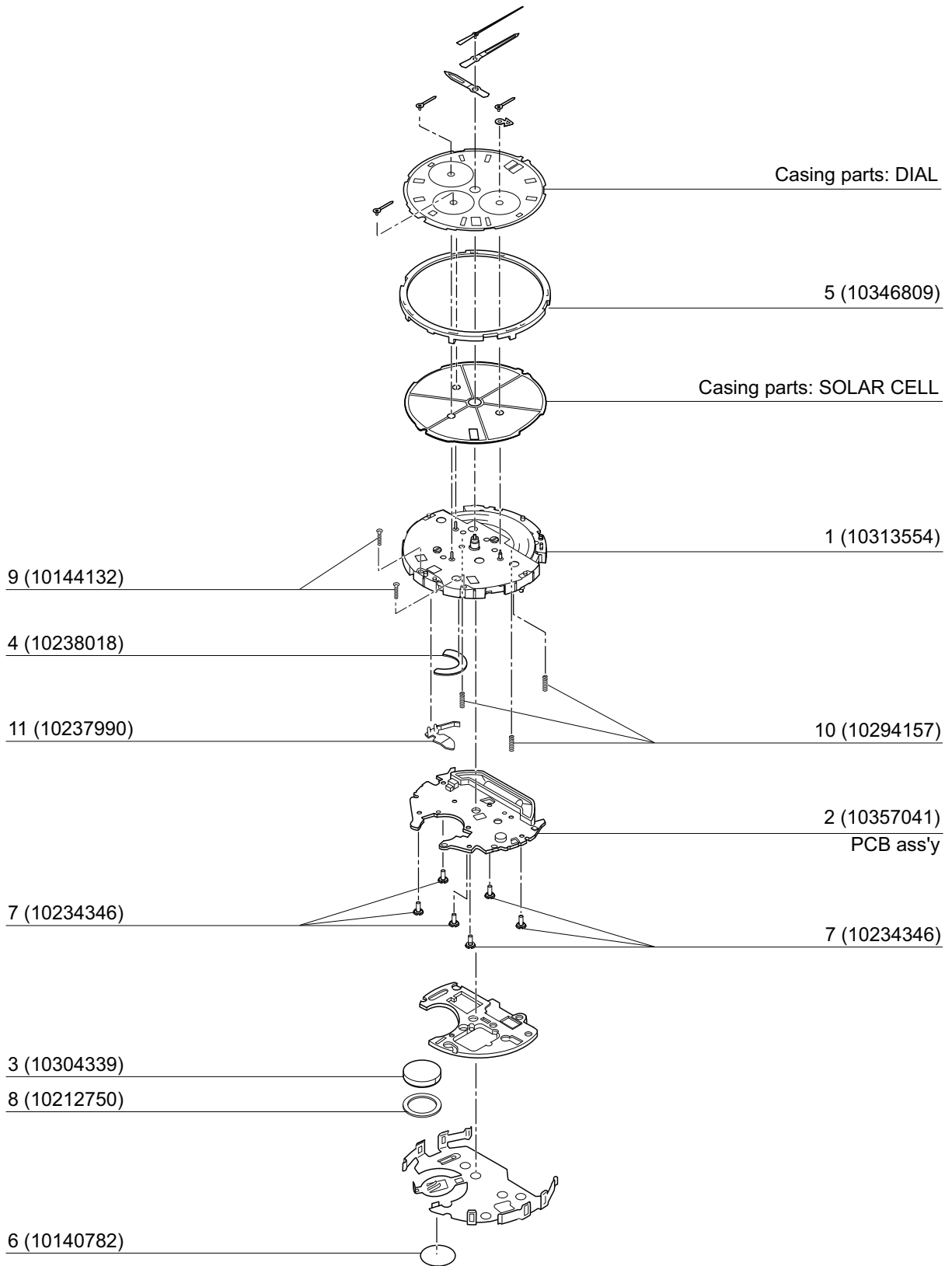
N	Item	Code No.	Parts Name	Specification	Q'TY	Note	R
					1		
	10	10353459	BUTTON ASS'Y	RJQ550922*001V01	4		C
	11	10350057	CASING FRAME	RJQ550605-001V01	1		C
	12	10368151	COVER/BACK ASS'Y	RJQ550596*008TK	1		C
	13	10353500	CUSHION/RUBBER	RJQ551226-001V01	1		C
N	14	10370780	DIAL	RJQ550603*007V01	1		C
	15	70415488	E-RING	Q4810A-1	4		C
N	16	10370782	HAND/HOUR	RJQ550956-003V01	1		C
N	17	10370783	HAND/MINUTE	RJQ545351-005V01	1		C
N	18	10370785	HAND/MINUTE/SHORT	RJQ545265-005V01	1	3H	C
N	19	10370784	HAND/SECOND	RJQ550957-003V02	1		C
N	20	10370806	HAND/SECOND/SHORT	RJQ533144-012V02	1	3H	C
	20	10314191	HAND/SECOND/SHORT	RJQ533144-006V02	1	6H	C
N	21	10370807	HAND/SECOND/SHORT	RJQ539270-008V01	1	9H	C
	22	10304382	LABEL	RJQ542499-001V01	1		C
	23	10214356	MAGNETIC SHEET	RJQ527468-001V01	1	CASING FRAME	C
N	24	10370781	PIECE/DECORATIVE	RJQ550598-004V01	1	DIAL 9H	C
	25	10287235	PLATE/REINFORCEMENT	RJQ540245-001V01	2		C
	26	10353460	PLATE/TERMINAL	RJQ550604-001V01	2	BUTTON	C
	27	10353461	PLATE/TERMINAL	RJQ551265-001V01	1	CENTER 5H	C
	28	72075251	SCREW	Q44691A-8	4	BACK	C
	29	10353423	SCREW/DECORATIVE	Q451674-4V04	2	BEZEL	C
	30	10287234	SCREW/FEMALE	RJQ539026-002V01	2	COVER/ENDPIECE	C
	31	10382758	SCREW/MALE	RJQ556804-001	2	COVER/ENDPIECE	C
	32	10367120	SEAL/PROTECTION	RJQ527497-001V02	1		C
	33	10310287	SOLAR CELL	AT-2603B-KSO-B	1		C
	34	10359463	SPRING/COIL	RJQ553113-001V01	1	CENTER 5H	C
	35	72301000	SPRING/COIL	Q458175-1	1	MODULE 3H	C
	36	10030980	SPRING/COIL	Q462453A-2	1	MODULE 6H	C
	40	10182801	TAPE/ADHESIVE	RJQ522942-001V01	4	BEZEL 1H/5H/7H/11H	C

Notes: N - New parts
R - Rank
A: Important
C: Not Important

GW-3000B

N	Item	Code No.	Parts Name	Specification	Q'TY	Note	R
					1		
	39	10164641	TAPE/ADHESIVE	RJQ521295-001V01	2	BEZEL 3H/9H	C
	37	10212980	TAPE/ADHESIVE	RJQ527499-001V01	1	CASING/FRAME	C
	38	10212762	TAPE/ADHESIVE	RJQ527593-001V01	1	CENTER 5H	C
	41	10359947	TAPE/ADHESIVE	RJQ551254-001V03	2	PIECE/DECORATIVE	C
	42	10228557	TAPE/ADHESIVE	RJQ530736-001V01	2	PLATE/TERMINAL	C

3. EXPLODED VIEW: MODULE QW-5121



4. PARTS LIST: MODULE QW-5121

QW-5121YC
1 QW-5121YC-02TK

- Note: 1. Prices and specifications are subject to change without prior notice.
 2. Spare parts are classified as follows according to their importance in after-sales service.
 A Rank ----- Important
 C Rank ----- Not Important
 3. Batteries in Bulk pack on the tray will be supplied from our Overseas Spare Parts Section under charge basis. Batteries in Blister pack will be supplied from our Sales Department.
 4. As for order/supply of spare parts, refer to the separate publication "GUIDE BOOK for spare parts supply".

Attention to order
 1. The most of normal repair or initial repair within 1year since released month can be done by main parts.
 2. Minor parts should be ordered carefully in consideration of the actual usage of your repair and your technical skills.
 3. Main parts should be ordered and stocked appropriately in consideration of your parts usage anre repair usage for similar models.

MAIN PARTS					
Item	Code No.	Parts Name	Specification	Q'TY	R
				1	
	10357024	MODULE/WITH MOVEMENT	QW-5121YC-02TK	1	A
1	10313554	ANALOG BLOCK	QW-5031MV-82TK	1	A
2	10357041	PCB ASS'Y	RJQ551829*001TK	1	A

MINOR PARTS					
Item	Code No.	Parts Name	Specification	Q'TY	R
				1	
3	10304339	BATTERY/STORAGE	CTL-920F/CS	1	C
4	10238018	CUSHION 4709-2	RJQ532340-001V01	1	C
5	10346809	HOLDER 5114	RJQ550053-001V01	1	C
6	10140782	LABEL 2815	RJQ517198-001V02	1	C
7	10234346	SCREW/FLAT 4329	RJQ532242-001V01	6	C
8	10212750	SHEET/INSULATION 4323-2	RJQ527449-001V01	1	C
9	10144132	SPRING/COIL 3311-1	RJQ517341-001V01	2	C
10	10294157	SPRING/COIL 4390-1	RJQ540758-001V01	3	C
11	10237990	TERMINAL/BATTERY (+) 4709	RJQ531568-001V01	1	C

For the prices and minimum order/supply quantities of the above parts, refer to the Parts Price List P.L.-676.

Notes: R - Rank
 A: Important
 C: Not Important